



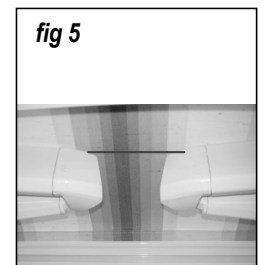
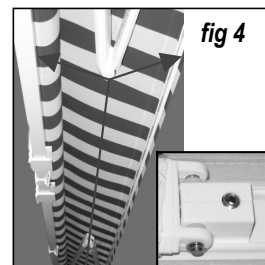
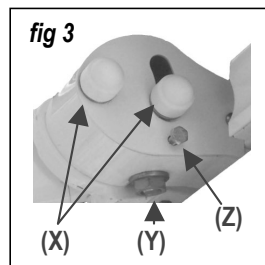
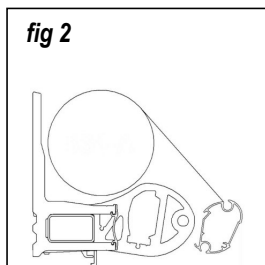
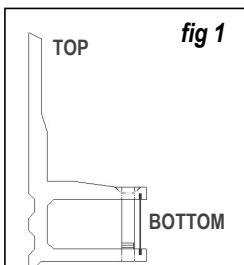
PATIO AWNING FITTING INSTRUCTIONS

please follow carefully

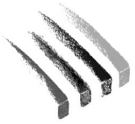
1. Your carton contains the following items:
 - (a) your awning bubble wrapped complete with optional coverboard pre-attached if purchased.
 - (b) your winding handle (if your awning is manually operated)
 - (c) a separate box containing your wall brackets and fixings, along with remote switch if electric option purchased.Carefully remove the packaging from the awning - **DO NOT USE A KNIFE OR ANY SHARP INSTRUMENT!**
2. Determine the fixing height of your awning on the wall. Under normal circumstances the base of the awning would be 225mm above the top of the window/door. This is purely a guide and it can be positioned at any height to suit your requirements. The wall brackets are positioned either to the left or right of the arm block - the position is marked on the back of the rectangular bar that your awning is built around (on larger size awnings a 3rd bracket will be supplied which needs fitting centrally - this position is also marked on the rectangular bar of the awning). Mark the holes on the wall ensuring the brackets are the correct way round (*fig 1*) and perfectly horizontal with each other.
3. Select the appropriate fixings (from the fixings pack included) for the type of surface you are fixing into (coach screws for timber only or resin & stud for all types of brick or block). For coach screws drill a pilot hole into the timber and then fix the brackets. For resin & stud drill Ø12mm holes to a depth of 90mm. Remove all dust from the holes (best by use of a vacuum). Fill each hole 2/3rd full with the resin (instructions on how to prepare the resin are on the rear of the packet). Then insert a stud into each hole using a rotary action leaving 25mm protruding. Leave the resin to cure (see instructions on rear of packet for setting times dependant on atmospheric conditions). Then fix the brackets onto the studs using the nuts and washers supplied.
4. Lift the awning into the brackets (a minimum of 2 people will be required for this) and fit the retaining bolts into the brackets and lock tight with a 13mm spanner.

IF ELECTRIC OPTION HAS BEEN PURCHASED REFER TO REAR OF THIS SHEET NOW.

5. Open the awning using either the winding handle or remote switch dependent on whether manual or electric awning has been purchased. If operating manually via winding handle, ensure that the cover is never allowed to under roll! (*fig 2*)
6. ANGLE ADJUSTMENT (*fig 3*)
The angle on your awning can be fully adjusted from 5° to 38°. To adjust the angle simply follow the steps below:
 - (a) Slacken the two 19mm nuts on the side of the arm block (X)
 - (b) Turn the 19mm nut on the underside of the arm block (Y) clockwise to lower the angle or anti clockwise to raise the angle.
 - (c) Retighten the two 19mm nuts on the side of the arm block (X) - DO NOT OVERTIGHTEN -
 - (d) Repeat this procedure for the opposite arm so that the front profile is perfectly level.
7. ARM ALIGNMENT (*fig 4*)
When the awning extends and retracts the arms should run perfectly in line with each other. They should be half way between the front profile and rectangular bar at all times. To align the arms, simply follow the steps below:
 - (a) Take the awning to 100mm from closed.
 - (b) Slacken the 5mm allen key screw located in the middle of the arm to front profile clamps.
 - (c) Position the arms so they are half way between the front profile and rectangular bar.
 - (d) Lock off the 5mm allen key screws.
8. ARM ELBOW HEIGHT ALIGNMENT (*fig 5 & 3*)
The arm elbows run at the same height as each other to ensure smooth opening and closure of the awning. Never allow the arms to touch the fabric. To align the arm elbow height simply follow the steps below:
 - (a) Slacken the two 19mm nuts on the side of the arm block (X)
 - (b) Turn the 10mm bolt on the side of the arm block (Z) clockwise to raise the arm elbow or anti-clockwise to lower the arm elbow.
 - (c) Retighten the two 19mm nuts on the side of the arm block (X)
 - (d) Repeat this procedure for opposite arm.



CONGRATULATIONS - your **QUALITY AWNING** is now installed!



ELECTRIC OPTION INSTRUCTIONS

please follow carefully

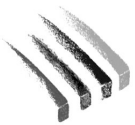
Your awning comes with the electric motor already fitted inside the roller tube - **DO NOT TRY TO REMOVE IT!** There is a 2.5mt cable attached to the motor with a plug attached.

1. Remove the plug from the cable, taking note of the positions of the wire.
2. Drill a Ø12mm hole at the point of entry for the wire into your house and insert the cable.
PLEASE SEAL THIS HOLE WITH SOME MASTIC EACH SIDE WHEN INSTALLATION IS COMPLETE!
3. Cable clip the wire to both the external and internal wall to the power source (13 amp switched socket)
Should the wire need to be joined do so with a junction box and terminal adaptors.
4. Refit the plug, plug in and turn on.
5. Attach the remote switch to the wall with the screws and plugs supplied.

IF IN ANY DOUBT CONTACT A QUALIFIED ELECTRICIAN!



The remote switch has a one touch button. Pressing the button once extends the awning, again stops the awning and another touch retracts the awning. Should you not stop the awning on the way out, it will automatically stop when fully extended.



GUARANTEE & CARE INFORMATION

please follow carefully

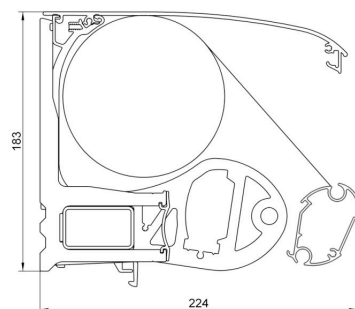
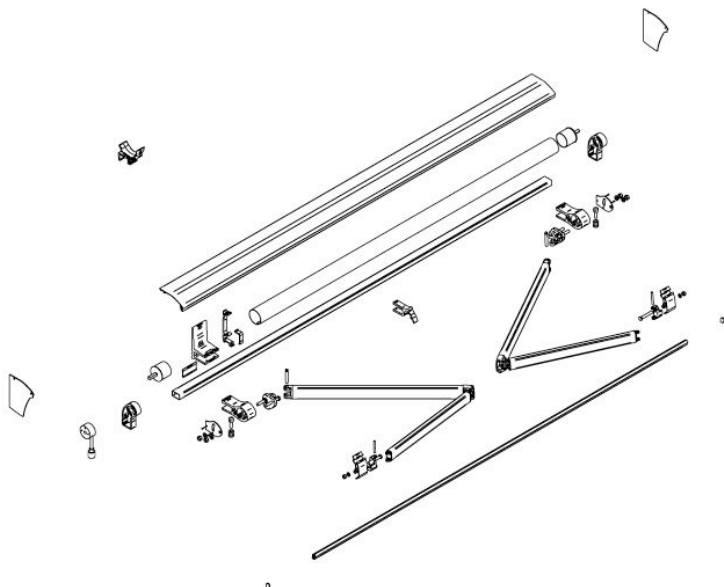
Your awning is guaranteed free from defects for a period of 5 years from date of purchase. The guarantee applies to the system itself (framework and components), acrylic fabric (cover only not valance) and the motor and control (if purchased, this does not include the battery). The guarantee is limited to the supply of replacement parts only and is only valid if the system has been correctly installed, adjusted and not mis-used.

Your awning is intended for use under the sun and should not be used in any adverse weather conditions, i.e. wind, snow, rain, hail, sleet etc...

To keep your awning in perfect working condition the framework and fabric should ideally be cleaned twice annually.

The fabric should be cleaned with a mild detergent i.e. fairy liquid, warm water and a sponge or soft cloth. The fabric should be gently wiped over to remove any dirt and marks. **DO NOT USE** any abrasive detergent or stiff bristle brushes to clean the fabric as this will damage the fabric and invalidate your guarantee.

The framework should be cleaned with warm water and a sponge or soft cloth. Gently wipe the framework over to remove any dirt or marks. **DO NOT USE** any special cleaners or stiff brushes as this will damage the framework and invalidate your guarantee.



PATIO AWNING DEDICATED HELPLINE - Monday to Friday 8am to 5pm - Tel: +44 (0) 1787 882550